

A

B

C

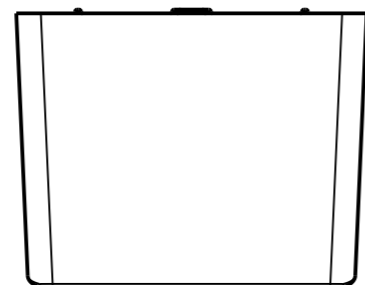
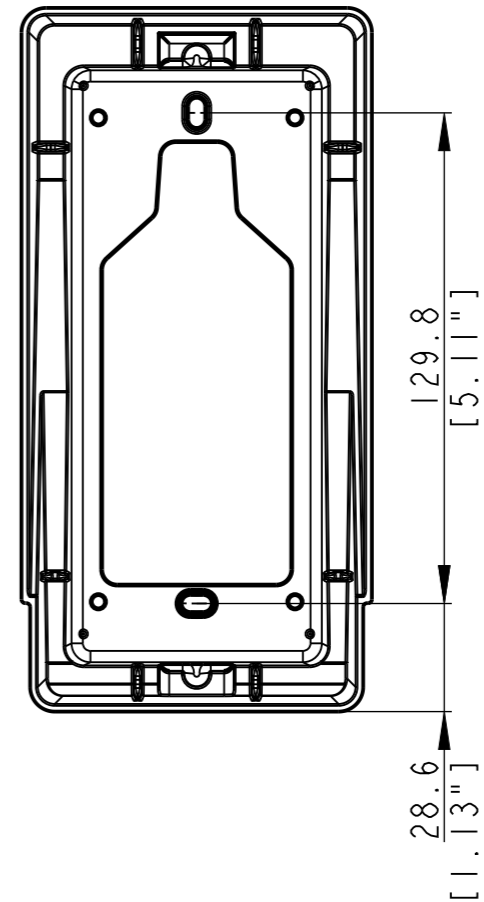
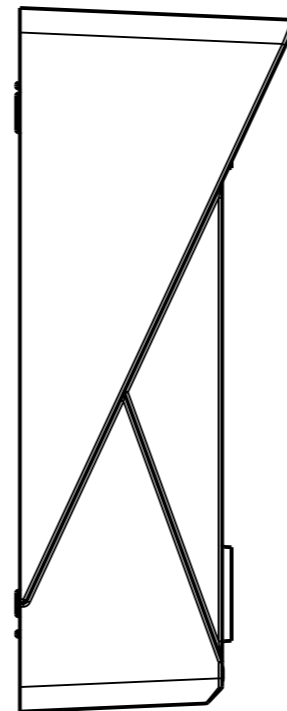
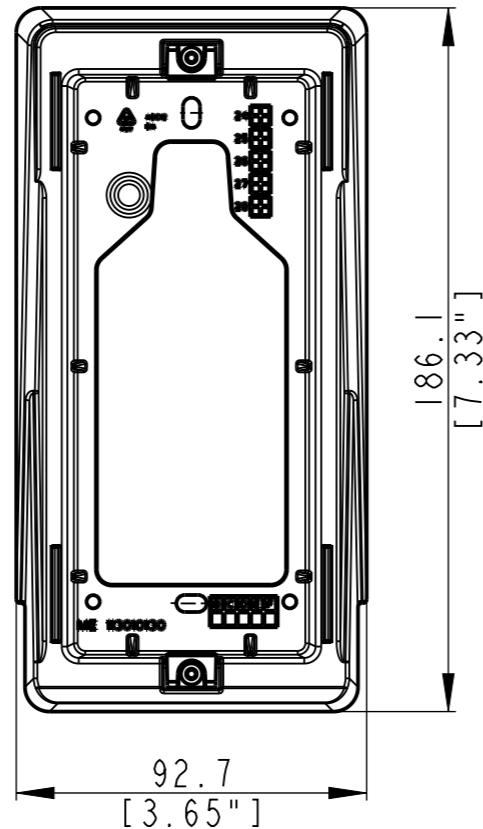
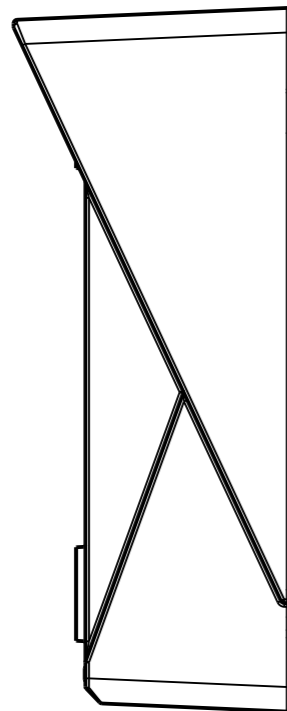
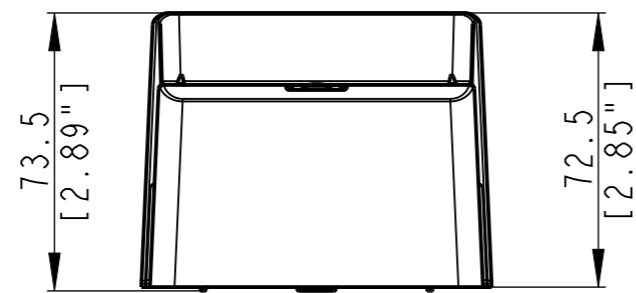
D

A

B

C

D



USE:	OUTDOOR
UV:	YES
VISIBLE PART:	YES
INSPECTION DIMENSION	

REVISION	REVISION NO.	DESCRIPTION	DATE	DRAWN	APPROVED	TECHNOLOGY	
TOLERANCES SN ISO 8015 GENERAL TOLERANCES ISO 2768-mK DIMENSIONS ARE IN mm			MATERIAL: -				SHEET 1 OF 1
2N		DRAWN: Št pán Sejbal	24.09.2024	STATE: Released		SIZE A3	
		MODIFIED: Št pán Sejbal	13.01.2025	NAME: IP ONE BOX		SCALE 1:2	
		APPROVED:		PART NUMBER: 9158002		REVISION B.1	
NOTES:		WEIGHT 383.000 g					

This material and its content are protected under the copyright (author rights) provisions and eventual intellectual property rights. 2N TELEKOMUNIKACE a.s., Identification No.: 26183960, registered seat at Prague 4, Mod anská 621/72, Zip Code 143 01, is exclusively authorized to exercise all the copyright (author rights) as well as eventual intellectual property rights. You may not allow this material access to any third person.